

EA

Battery
Torque Multiplier



Alkitronic[®]

Applications

- **alkitronic® EA**, battery powered 2-speed torque multiplier for torques from 90 Nm to 4,000 Nm.
- **Extremely short fastening cycles:** Fast gear for run down and power gear for highest torques and precision.
- **Mobile and always ready for use:** Compact design for convenient working in limited spaces or without power supply.
- **Efficient operation:** Fast and easy gear-changing, great torque range - each gear has eleven torque values to choose from.

Advantages

- **Low running costs:** The low-wear brushless synchronous motor is maintenance free.
- **Health-preserving:** Low weight, ergonomically designed, low noise emissions. No noise protection necessary.
- **High performance:** Two lithium-ion battery packs ensure up to 360 screw joints in a row. Each battery features a LED charge level indicator.
- **Exact shut-off torque even at low battery levels.**

alkitronic® Specials

- **Very low susceptibility to damage and failure:** Robust motor housing made of special polymer. It is break-proof, impact-proof and resistant to corrosion.
- **Intelligent energy management:** Smart electronics protect every battery cell from overcharging and depth discharge. The charger cools battery packs during recharging. This reduces charging times and maximizes performance and durability.

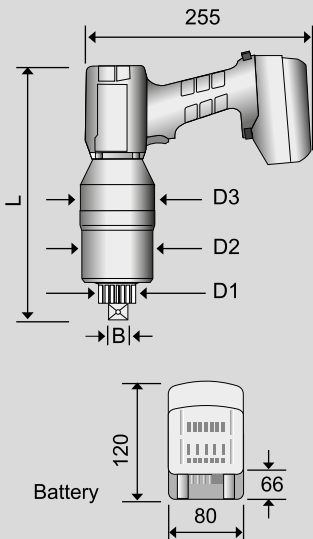


Technical Data: alkitronic® EA Models

Type		EA2 / 80	EA2 / 150	EA2 / 200	EA2 / 300	EA2 / 400
Torque range (approx.) *	Nm	90-900	140-1400	220-2200	320-3200	400-4000
Torque range (approx.)*	lbf.ft	65-660	105-1030	160-1620	235-2360	295-2950
Square drive	B	3/4"	3/4"	1"	1"	1 1/2"
Diameter (approx.)	D ₁ mm	41	41	54	72	72
Diameter (approx.)	D ₂ mm	85	85	85	93	93
Diameter (approx.)	D ₃ mm	88	88	88	97	97
Length (approx.)	L mm	295	295	320	370	370
Weight without DMA (approx.) **	kg	5.5	5.5	7.0	7.4	9.1
Idle speed 1 st gear	rpm	6.0	4.0	1.5	1.1	0.9
Idle speed 2 nd gear	rpm	22.0	11.5	5.0	4.1	3.0

*) When loosening bolts, a higher torque (up to 20 %) may be necessary (release torque). We will be pleased to help you with your choice. **) Torque reaction absorber

Measurements



Scope of Delivery



alkitronic®

TORQUE POWER WORLDWIDE

alkitronic® products
Made in Germany by

alki TECHNIK GmbH
Development, Production and
Distribution of Bolting Systems

Unterlettenweg 4
D-85051 Ingolstadt

fon +49 841 97499-0
fax +49 841 97499-90

info@alkitronic.com
www.alkitronic.com